



Designer Décor® Collection

by Mattress Safe®

Avant - Garde Solutions for the Box Spring



Sawgrass Graphite

QuickWrap® - DQKW

Quick and Easy Install No Mattress Removal Needed

This decorative box spring wrap is a cut above the rest. An upscale design without decking is secured with elastic edges on the top and the bottom, combining style with a simple, fitted solution.

- ◆ No Visible Seams
- ◆ Tailored Fit that Maintains Position
- ◆ Smooth Contoured Corners & Sidewalls
- ◆ Secured with Elastic Completely Around the Top and Bottom Edges



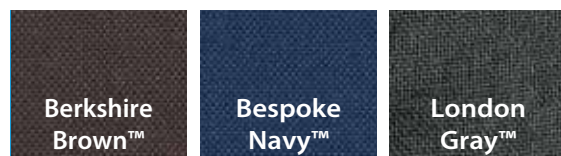
How to Install

Our Signature Stock Colors with Designer Fabrics

Shantung *Classic Silk Rendition*



Savile™ *Distinguished Woolen Appearance*



Sawgrass *Refined Linen Look*



Easy 1-2-3 Installation



1 Pull the white stretch knit section behind the head of mattress over the box spring. Secure corners.



2 Pull the bottom of QuickWrap® up and over the mattress and down to the foot of box spring. Secure corners.



3 Beginning from head to foot, adjust the QuickWrap® to ensure a secure fit.

Testing Standards for the Flammability of Mattress Safe® Fabrics.
 Shantung -100% Polyester FR Hybrid Passes Chapter 10 of NFPA 701-2010 & CA701
 Sawgrass -100% Polyester FR Hybrid Passes Chapter 10 of NFPA 701-2010 & CA701
 Savile -100% Polyester FR Hybrid Passes Chapter 10 of NFPA 701-2010 & CA701
 Stretch Knit -100% Polyester Stretch Knit Passes CFR Title 16 Part 1632 (FF4-72)

"Patent Pending"



Contact Your Distributor for Ordering Information

©2025 Mattress Safe, Inc. • DDCbedding.com • P: 770-205-5335

Made in USA with Import Fabric



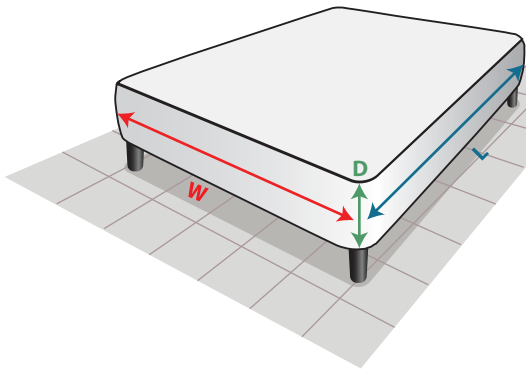
Designer Décor[®] Collection

by Mattress Safe[®]

Avant - Garde Solutions for the Box Spring

Properly Measuring Your Box Spring

It is important to properly measure your box spring. **The QuickWrap[®] is made especially according to your specifications and cannot be returned or exchanged.** Please use the following guidelines to measure correctly.



- Width:** Measure the width (in inches) of the box spring from side to side to the nearest 1/4 inch. **For Split King box springs, measure the width as one unit.*
- Length:** Measure the length (in inches) from the head of the box spring to the foot of the box spring to the nearest 1/4 inch.
- Depth:** Measure the height of the box spring (in inches) from the bottom of the box spring to the top to the nearest 1/4 inch.

Mattress and Box Spring Sizes

Mattresses and box springs can vary slightly in size.

Long Full 52-54"W x 78-80"L

Queen 58-60"W x 78-80"L

King (combined box springs) 74-76"W x 78-80"L

Hotel King (combined box springs) 70-72"W x 78-80"L

Depths:

5" will fit box springs with a height of 5" to 6.5"

9" will fit from 6.75" to 9.5"